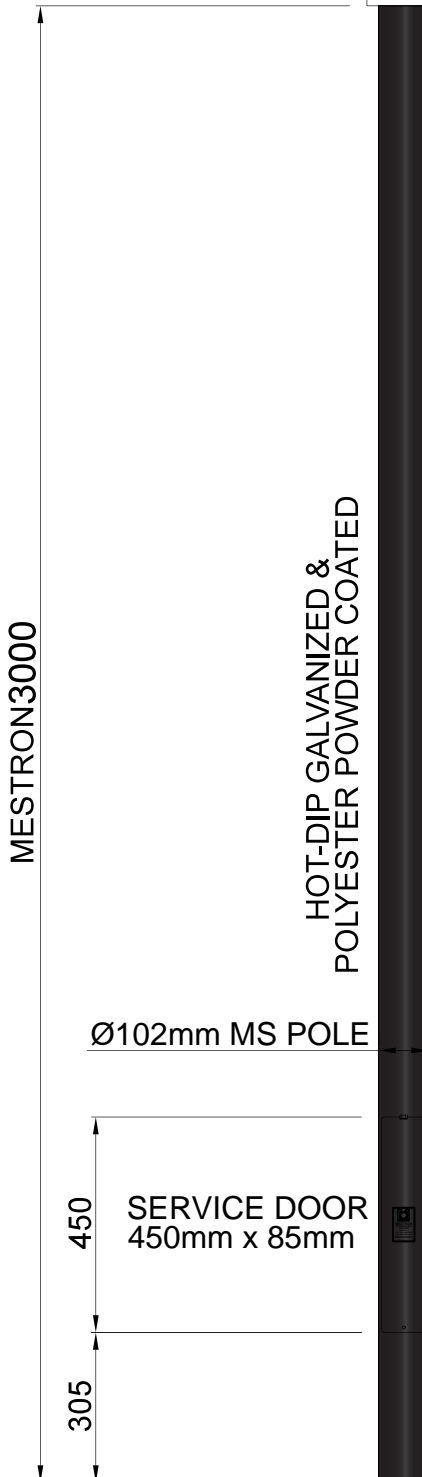
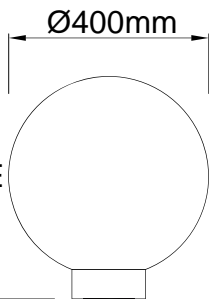
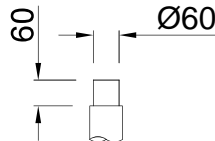


MODEL C-201
GLOBOLUX GLOBE
(MADE IN ITALY)



HOT-DIP GALVANIZED &
POLYESTER POWDER COATED



**SPIGOT
DETAIL**

- BLACK
RAL 7075**
- SILVER
RAL 9006**
- LIGHT GREY
RAL 7045**
- DARK GREY
RAL 7043**

TECHNICAL SPECIFICATION FOR POLE

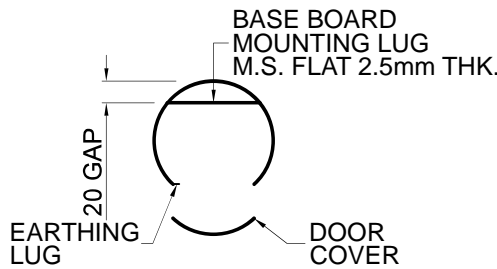
- 1) THE DESIGN OF LIGHTING COLUMNS IS DYNAMICALLY VERIFIED BY " STAAD PRO " DESIGN SOFTWARE. THE COLUMNS ARE DESIGNED TO WITHSTAND DESIGN WIND SPEED OF 35M PER SECOND 3 SECOND GUST OR EQUIVALENT TO 20.6M/S OF 10 MINUTES MEAN WIND VELOCITY AT 10M HEIGHT. TOPOGRAPHY AND TERRAIN FACTOR OF 1.0.
- 2) THE DESIGN OF LIGHTING COLUMNS IS ALSO VERIFIED BY TYPE TEST ACCORDING THE ABOVE DESIGN CRITERIA AND REQUIREMENT OF BS EN 40-3-2.
- 3) THE LIGHTING COLUMNS ARE COMPLIED WITH THE SPECIFICATION OF BS EN 40-5:2002.
- 4) THE MATERIALS USED FOR LIGHTING COLUMNS ARE COMPLIED WITH BS EN 10025 275 JR / JIS G3101 SS400.
- 5) WELDING PROCESS FOR LIGHTING COLUMN IS COMPLIED WITH BS EN 1011-2.
- 6) GALVANIZING PROCESS FOR LIGHTING COLUMN IS COMPLIED WITH BS EN ISO 1461 / BS 729.
- 7) POWDER COATING PROCESS FOR LIGHTING COLUMN IS COMPLIED WITH BS 6497.

TECHNICAL SPECIFICATION FOR LANTERN

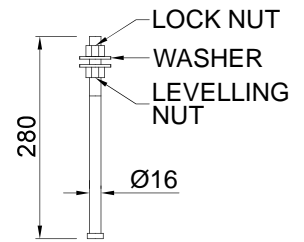
- 1) MATERIAL HIGH QUALITY UV RESISTANT PMMA ACRYLIC DIFFUSER
- 2) COMPLY TO IEC 598-1, SR EN 60598-1-2-3 : 1994
- 3) ANTI-GLARE SAND BLASTED ALUMINIUM LOUVRE (OPTIONAL)
- 4) LAMP GUIDE : E27 HOLDER 23W PLCE / 70W HPSV
- 5) PROTECTION RATING : IP 44
- 6) SEPERATE CONTROL GEAR MOUNTED IN SERVICE DOOR FOR 70W HPSV
- 7) ANTI GLARE SAND BLASTED HEAT DISSIPATING ALUMINIUM LOUVER (OPTIONAL)



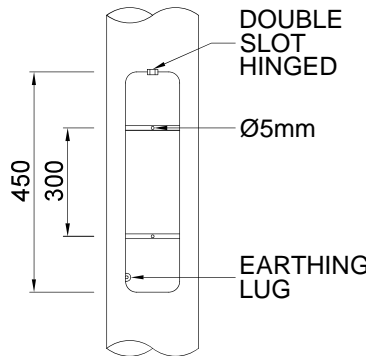
MODEL C-201
GLOBOLUX GLOBE
(MADE IN ITALY)



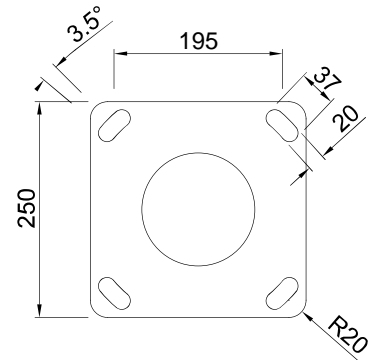
SECTION A-A



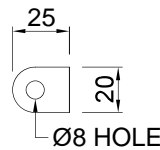
FOUNDATION BOLT



**SERVICE DOOR
DETAIL**



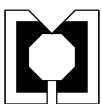
**FLANGE PLATE
9mm THICKNESS**



**EARTHING LUG
DETAIL**

MESTRON
COMPOUND LIGHTING
DESIGN 1

DATE	R	DESCRIPTION
JO :		
DRAWING APPROVAL		
SIGN	:
NAME	:
DATE	:

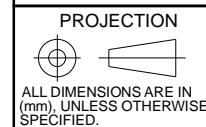


MESTRON ENGINEERING SDN BHD (591970-X)
TEL: 603-8061 8125 FAX: 603-8061 8561
E-MAIL : info@mestron.com.my
WEB : www.mestron.com.my

VERIFIED:

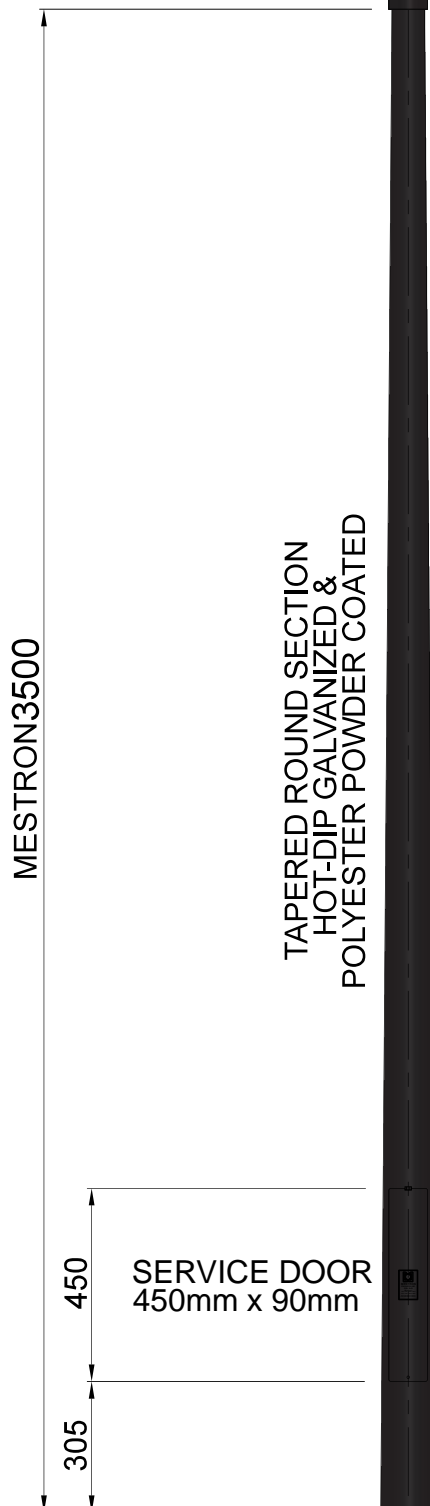
MESTRON
3M COMPOUND LIGHTING
DESIGN 1

DRAWN BY : HAFIZ	DRAWING NO : MES-COM-DESIGN 1
PREPARED BY : POR	DATE : 2013 / 2014 SCALE : NTS

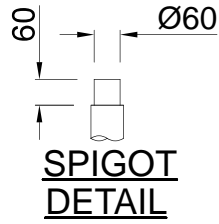


THIS DRAWING IS THE PROPERTY OF MESTRON ENGINEERING SDN. BHD. AND MUST NOT BE REPRODUCED OR MISUSED WITHOUT THEIR PRIOR CONSENT IN WRITING.

MODEL C-202



MESTRON
COMPOUND LIGHTING
DESIGN 2



- BLACK RAL 7075
- SILVER RAL 9006
- LIGHT GREY RAL 7045
- DARK GREY RAL 7043

TECHNICAL SPECIFICATION FOR POLE

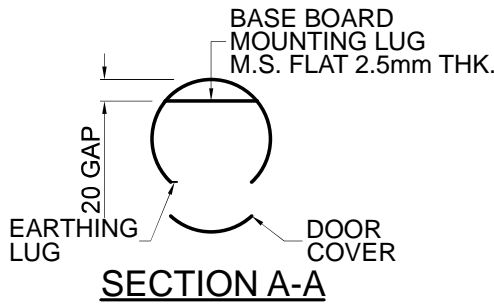
- 1) THE DESIGN OF LIGHTING COLUMNS IS DYNAMICALLY VERIFIED BY " STAAD PRO " DESIGN SOFTWARE. THE COLUMNS ARE DESIGNED TO WITHSTAND DESIGN WIND SPEED OF 35M PER SECOND 3 SECOND GUST OR EQUIVALENT TO 20.6M/S OF 10 MINUTES MEAN WIND VELOCITY AT 10M HEIGHT. TOPOGRAPHY AND TERRAIN FACTOR OF 1.0.
- 2) THE DESIGN OF LIGHTING COLUMNS IS ALSO VERIFIED BY TYPE TEST ACCORDING THE ABOVE DESIGN CRITERIA AND REQUIREMENT OF BS EN 40-3-2.
- 3) THE LIGHTING COLUMNS ARE COMPLIED WITH THE SPECIFICATION OF BS EN 40-5:2002.
- 4) THE MATERIALS USED FOR LIGHTING COLUMNS ARE COMPLIED WITH BS EN 10025 275 JR / JIS G3101 SS400.
- 5) WELDING PROCESS FOR LIGHTING COLUMN IS COMPLIED WITH BS EN 1011-2.
- 6) GALVANIZING PROCESS FOR LIGHTING COLUMN IS COMPLIED WITH BS EN ISO 1461 / BS 729.
- 7) POWDER COATING PROCESS FOR LIGHTING COLUMN IS COMPLIED WITH BS 6497.

TECHNICAL SPECIFICATION FOR LANTERN

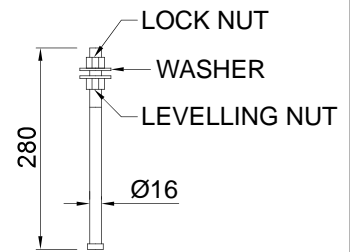
- 1) SPUN ALUMINIUM CASING AND CANOPY
- 2) HIGH QUALITY UV RESISTANT PMMA CLEAR ARCYLIC DIFFUSER.
- 3) ANTI-GLARE SAND BLASTED HEAT DISSIPATING ALUMINIUM LOUVRE
- 4) LAMP GUIDE : E27 HOLDER
23W PLCE / 70W HPSV
- 5) PROTECTION RATING : IP 54
- 6) SEPERATE CONTROL GEAR MOUNTED IN SERVICE DOOR FOR 70W HPSV



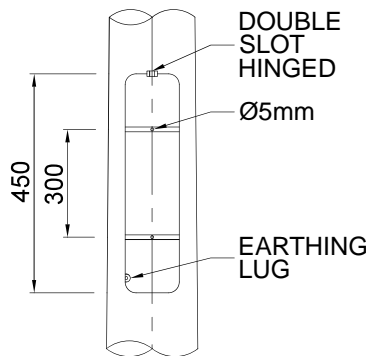
MODEL C-202



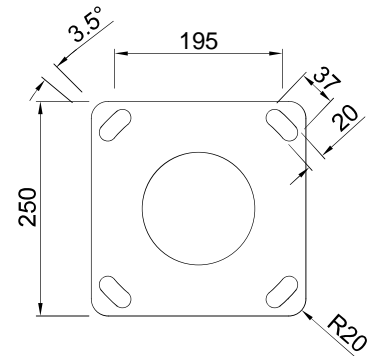
SECTION A-A



FOUNDATION BOLT

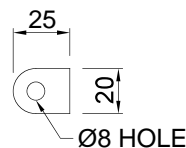


SERVICE DOOR DETAIL



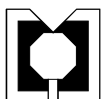
FLANGE PLATE

9mm THICKNESS



EARTHING LUG DETAIL

DATE	R	DESCRIPTION
JO :		
DRAWING APPROVAL		
SIGN	:
NAME	:
DATE	:

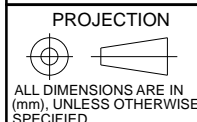


MESTRON ENGINEERING SDN BHD (591970-X)
 TEL: 603-8061 8125 FAX: 603-8061 8561
 E-MAIL : info@mestron.com.my
 WEB : www.mestron.com.my

VERIFIED:

MESTRON
3.5M COMPOUND LIGHTING
DESIGN 2

DRAWN BY : ANORD	DRAWING NO : MES-COM-DESIGN 2
PREPARED BY :	DATE : 2013 / 2014 SCALE : NTS



THIS DRAWING IS THE PROPERTY OF MESTRON ENGINEERING SDN. BHD. AND MUST NOT BE REPRODUCED OR MISUSED WITHOUT THEIR PRIOR CONSENT IN WRITING.

TECHNICAL SPECIFICATION FOR POLE

- 1) THE DESIGN OF LIGHTING COLUMNS IS DYNAMICALLY VERIFIED BY " STAAD PRO " DESIGN SOFTWARE. THE COLUMNS ARE DESIGNED TO WITHSTAND DESIGN WIND SPEED OF 35M PER SECOND 3 SECOND GUST OR EQUIVALENT TO 20.6M/S OF 10 MINUTES MEAN WIND VELOCITY AT 10M HEIGHT. TOPOGRAPHY AND TERRAIN FACTOR OF 1.0.
- 2) THE DESIGN OF LIGHTING COLUMNS IS ALSO VERIFIED BY TYPE TEST ACCORDING THE ABOVE DESIGN CRITERIA AND REQUIREMENT OF BS EN 40-3-2.
- 3) THE LIGHTING COLUMNS ARE COMPLIED WITH THE SPECIFICATION OF BS EN 40-5:2002.
- 4) THE MATERIALS USED FOR LIGHTING COLUMNS ARE COMPLIED WITH BS EN 10025 275 JR / JIS G3101 SS400.
- 5) WELDING PROCESS FOR LIGHTING COLUMN IS COMPLIED WITH BS EN 1011-2.
- 6) GALVANIZING PROCESS FOR LIGHTING COLUMN IS COMPLIED WITH BS EN ISO 1461 / BS 729.
- 7) POWDER COATING PROCESS FOR LIGHTING COLUMN IS COMPLIED WITH BS 6497.

MODEL C-203

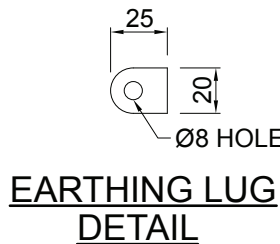
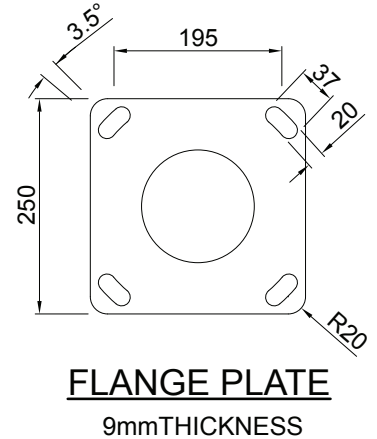
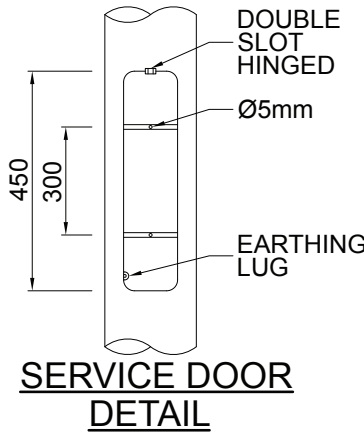
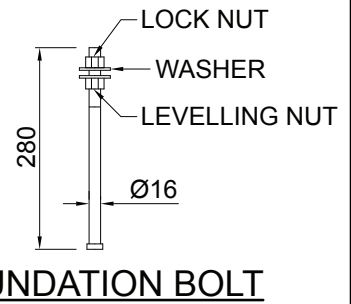
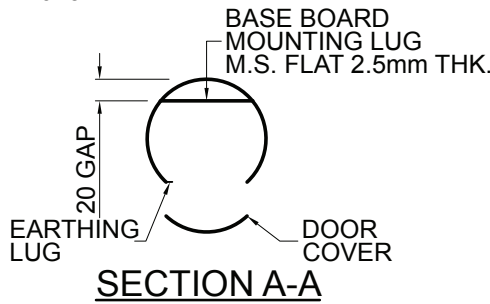
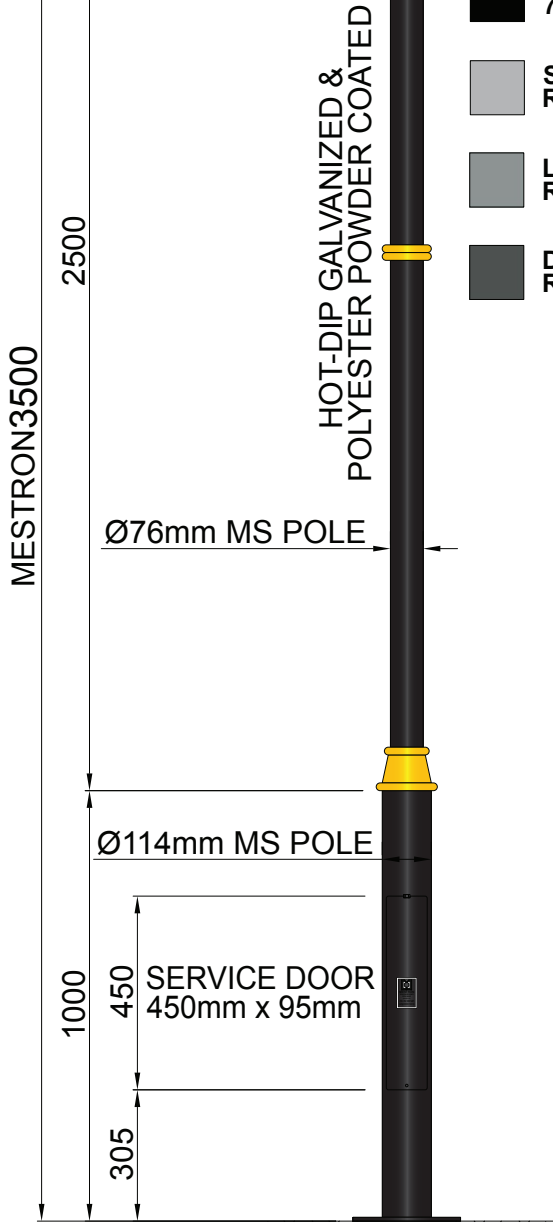
- BLACK 7075 GOLD RING**
- BLACK 7075**
- SILVER RAL 9006**
- LIGHT GREY RAL 7045**
- DARK GREY RAL 7043**

TECHNICAL SPECIFICATION FOR LANTERN

- 1) SPUN ALUMINIUM CASING AND CANOPY
- 2) HIGH QUALITY UV RESISTANT PMMA CLEAR ARCYLIC DIFFUSER.
- 3) ANTI-GLARE SAND BLASTED HEAT DISSIPATING ALUMINIUM LOUVRE
- 4) LAMP GUIDE : E27 HOLDER 23W PLCE / 70W HPSV
- 5) PROTECTION RATING : IP 54
- 6) SEPERATE CONTROL GEAR MOUNTED IN SERVICE DOOR FOR 70W HPSV

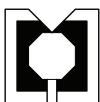


MODEL C-203



MESTRON COMPOUND LIGHTING DESIGN 3

DATE	R	DESCRIPTION
JO :		
DRAWING APPROVAL		
SIGN	:
NAME	:
DATE	:

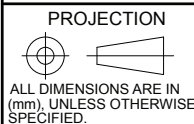


MESTRON ENGINEERING SDN BHD (591970-X)
 TEL: 603-8061 8125 FAX: 603-8061 8561
 E-MAIL : info@mestron.com.my
 WEB : www.mestron.com.my

VERIFIED:

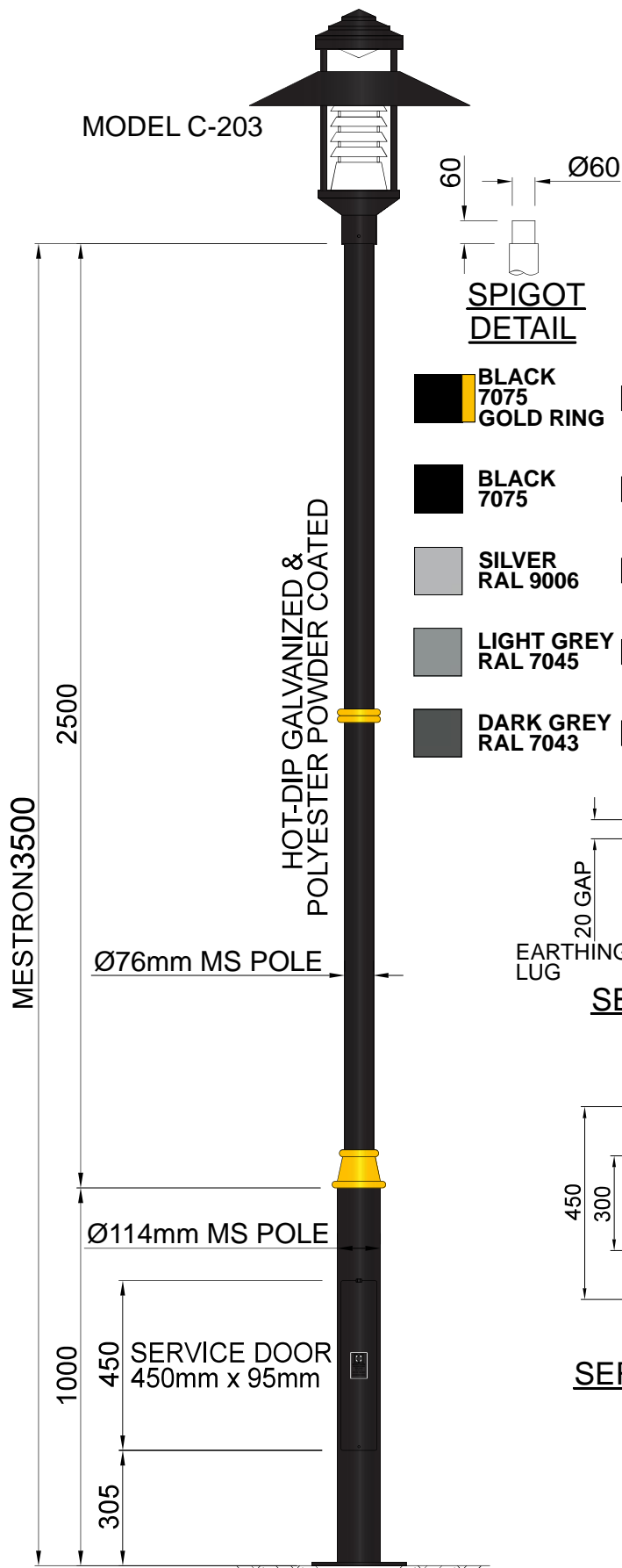
MESTRON
 3.5M COMPOUND LIGHTING
 DESIGN 3

DRAWN BY : HAFIZ	DRAWING NO : MES-COM-DESIGN 3
PREPARED BY : HAFIZ	DATE : 2013 / 2014 SCALE : NTS



THIS DRAWING IS THE PROPERTY OF MESTRON ENGINEERING SDN. BHD. AND MUST NOT BE REPRODUCED OR MISUSED WITHOUT THEIR PRIOR CONSENT IN WRITING.

MODEL C-203



**SPIGOT
DETAIL**

- BLACK 7075 GOLD RING**
- BLACK 7075**
- SILVER RAL 9006**
- LIGHT GREY RAL 7045**
- DARK GREY RAL 7043**

TECHNICAL SPECIFICATION FOR POLE

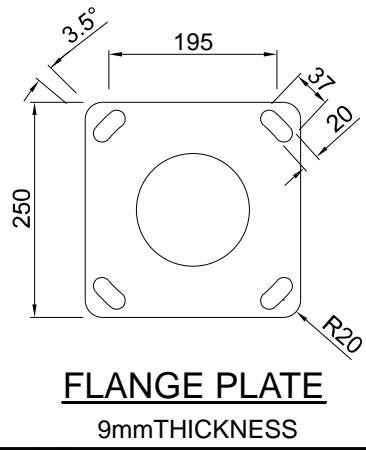
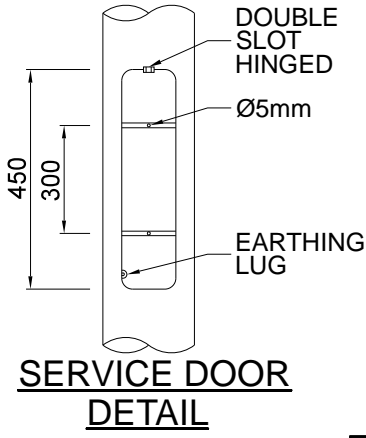
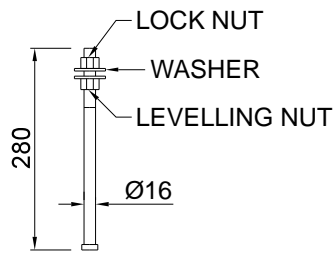
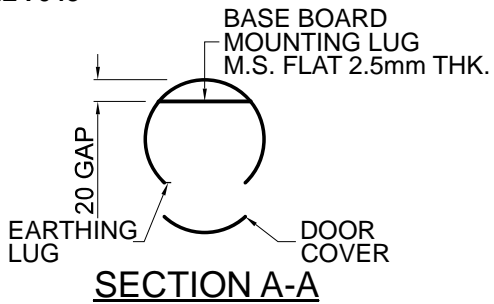
- 1) THE DESIGN OF LIGHTING COLUMNS IS DYNAMICALLY VERIFIED BY " STAAD PRO " DESIGN SOFTWARE. THE COLUMNS ARE DESIGNED TO WITHSTAND DESIGN WIND SPEED OF 35M PER SECOND 3 SECOND GUST OR EQUIVALENT TO 20.6M/S OF 10 MINUTES MEAN WIND VELOCITY AT 10M HEIGHT. TOPOGRAPHY AND TERRAIN FACTOR OF 1.0.
- 2) THE DESIGN OF LIGHTING COLUMNS IS ALSO VERIFIED BY TYPE TEST ACCORDING THE ABOVE DESIGN CRITERIA AND REQUIREMENT OF BS EN 40-3-2.
- 3) THE LIGHTING COLUMNS ARE COMPLIED WITH THE SPECIFICATION OF BS EN 40-5:2002.
- 4) THE MATERIALS USED FOR LIGHTING COLUMNS ARE COMPLIED WITH BS EN 10025 275 JR / JIS G3101 SS400.
- 5) WELDING PROCESS FOR LIGHTING COLUMN IS COMPLIED WITH BS EN 1011-2.
- 6) GALVANIZING PROCESS FOR LIGHTING COLUMN IS COMPLIED WITH BS EN ISO 1461 / BS 729.
- 7) POWDER COATING PROCESS FOR LIGHTING COLUMN IS COMPLIED WITH BS 6497.

TECHNICAL SPECIFICATION FOR LANTERN

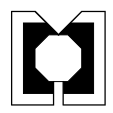
- 1) SPUN ALUMINIUM CASING AND CANOPY
- 2) HIGH QUALITY UV RESISTANT PMMA CLEAR ARCYLIC DIFFUSER.
- 3) ANTI-GLARE SAND BLASTED HEAT DISSIPATING ALUMINIUM LOUVRE
- 4) LAMP GUIDE : E27 HOLDER 23W PLCE / 70W HPSV
- 5) PROTECTION RATING : IP 54
- 6) SEPERATE CONTROL GEAR MOUNTED IN SERVICE DOOR FOR 70W HPSV



MODEL C-203



DATE	R	DESCRIPTION
JO :		
DRAWING APPROVAL		
SIGN	:
NAME	:
DATE	:

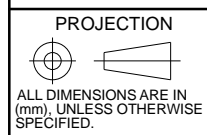


MESTRON ENGINEERING SDN BHD (591970-X)
 TEL: 603-8061 8125 FAX: 603-8061 8561
 E-MAIL : info@mestron.com.my
 WEB : www.mestron.com.my

VERIFIED:

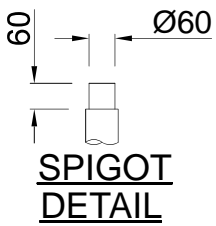
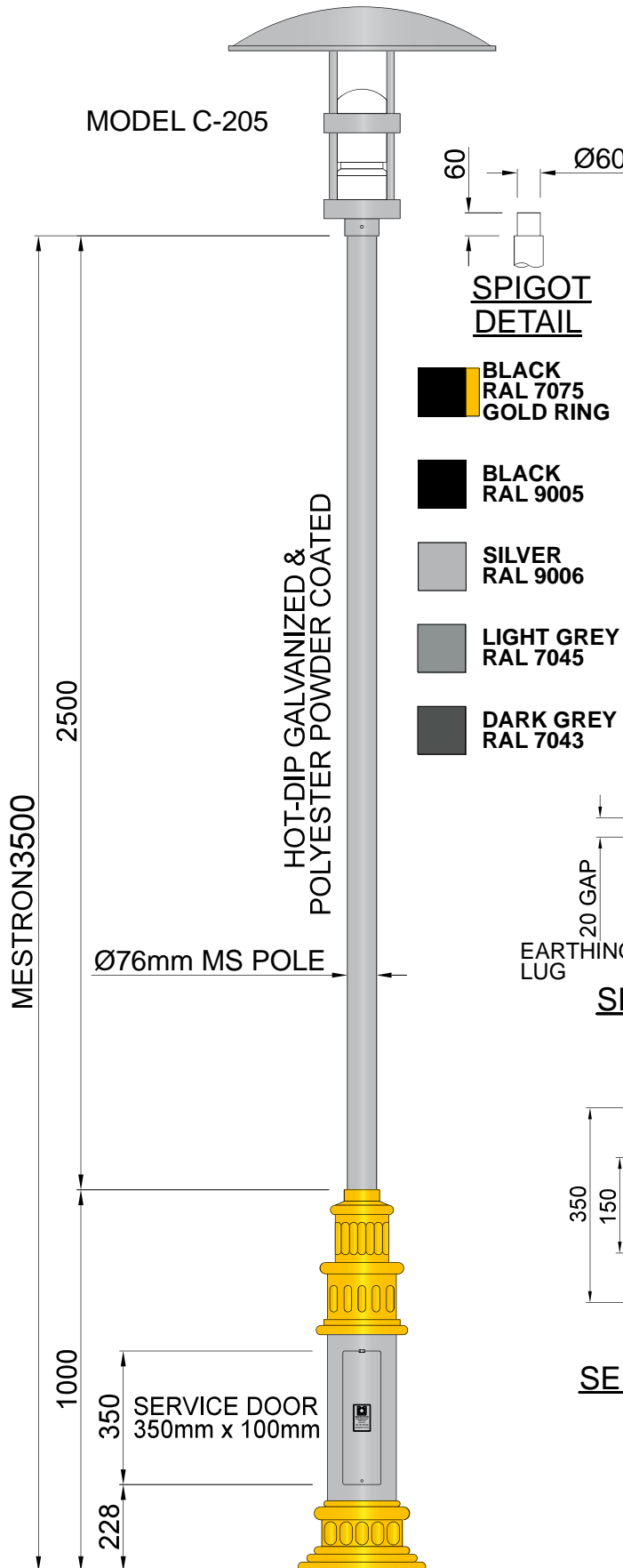
MESTRON
3.5M COMPOUND LIGHTING
DESIGN 3

DRAWN BY : HAFIZ	DRAWING NO : MES-COM-DESIGN 3
PREPARED BY : HAFIZ	DATE : 2013 / 2014 SCALE : NTS



THIS DRAWING IS THE PROPERTY OF MESTRON ENGINEERING SDN. BHD. AND MUST NOT BE REPRODUCED OR MISUSED WITHOUT THEIR PRIOR CONSENT IN WRITING.

MODEL C-205



- BLACK RAL 7075 GOLD RING**
- BLACK RAL 9005**
- SILVER RAL 9006**
- LIGHT GREY RAL 7045**
- DARK GREY RAL 7043**

TECHNICAL SPECIFICATION FOR POLE

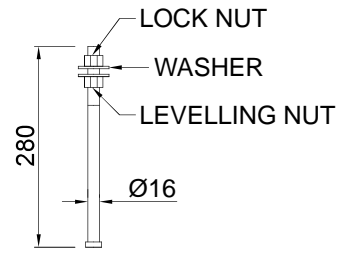
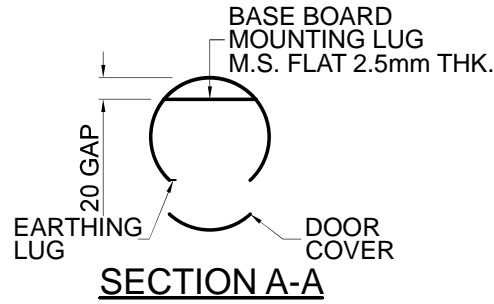
- 1) THE DESIGN OF LIGHTING COLUMNS IS DYNAMICALLY VERIFIED BY " STAAD PRO " DESIGN SOFTWARE. THE COLUMNS ARE DESIGNED TO WITHSTAND DESIGN WIND SPEED OF 35M PER SECOND 3 SECOND GUST OR EQUIVALENT TO 20.6M/S OF 10 MINUTES MEAN WIND VELOCITY AT 10M HEIGHT. TOPOGRAPHY AND TERRAIN FACTOR OF 1.0.
- 2) THE DESIGN OF LIGHTING COLUMNS IS ALSO VERIFIED BY TYPE TEST ACCORDING THE ABOVE DESIGN CRITERIA AND REQUIREMENT OF BS EN 40-3-2.
- 3) THE LIGHTING COLUMNS ARE COMPLIED WITH THE SPECIFICATION OF BS EN 40-5:2002.
- 4) THE MATERIALS USED FOR LIGHTING COLUMNS ARE COMPLIED WITH BS EN 10025 275 JR / JIS G3101 SS400.
- 5) WELDING PROCESS FOR LIGHTING COLUMN IS COMPLIED WITH BS EN 1011-2.
- 6) GALVANIZING PROCESS FOR LIGHTING COLUMN IS COMPLIED WITH BS EN ISO 1461 / BS 729.
- 7) POWDER COATING PROCESS FOR LIGHTING COLUMN IS COMPLIED WITH BS 6497.

TECHNICAL SPECIFICATION FOR LANTERN

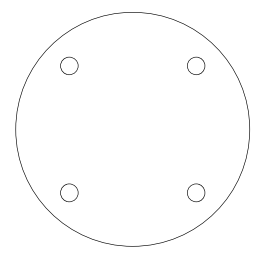
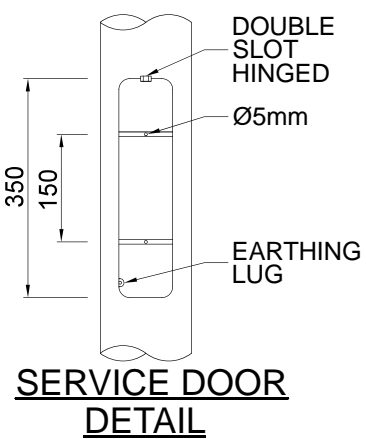
- 1) SPUN ALUMINIUM CASING AND CANOPY
- 2) HIGH QUALITY UV RESISTANT PMMA CLEAR ARCYLIC DIFFUSER.
- 3) ANTI-GLARE SAND BLASTED HEAT DISSIPATING ALUMINIUM LOUVRE
- 4) LAMP GUIDE : E27 HOLDER 23W PLCE / 70W HPSV
- 5) PROTECTION RATING : IP 54
- 6) SEPERATE CONTROL GEAR MOUNTED IN SERVICE DOOR FOR 70W HPSV



MODEL C-205

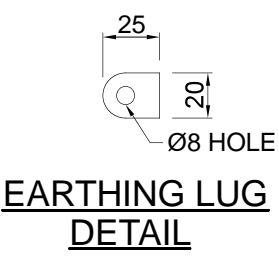


FOUNDATION BOLT

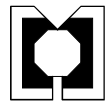


FLANGE PLATE

9mm THICKNESS



DATE	R	DESCRIPTION
JO :		
DRAWING APPROVAL		
SIGN	:
NAME	:
DATE	:



MESTRON ENGINEERING SDN BHD (591970-X)
 TEL: 603-8061 8125 FAX: 603-8061 8561
 E-MAIL : info@mestron.com.my
 WEB : www.mestron.com.my

VERIFIED:

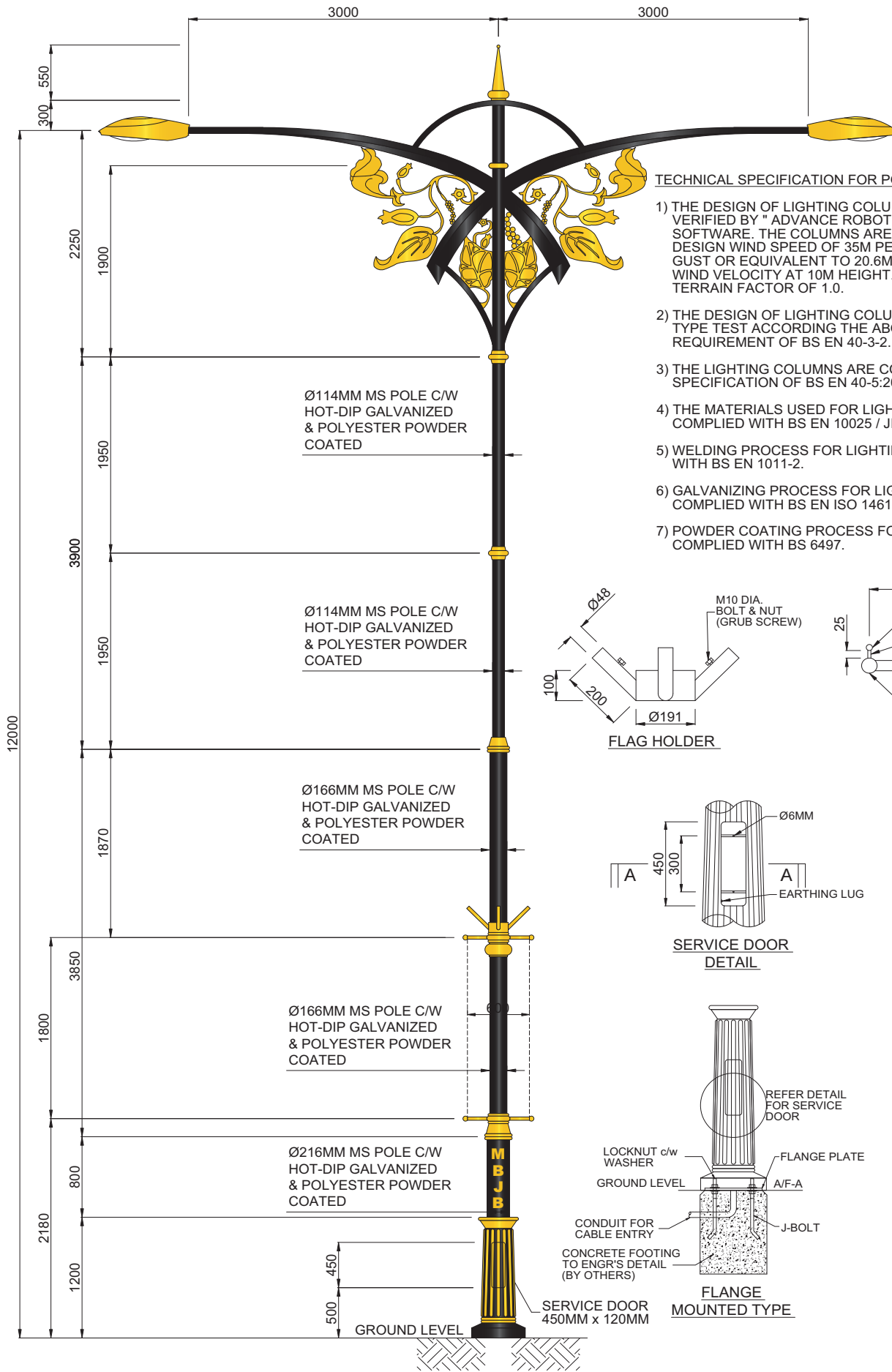
MESTRON 3.5M COMPOUND LIGHTING DESIGN 5

DRAWN BY : ANORD	DRAWING NO : MES-COM-DESIGN 5
PREPARED BY :	DATE : 2013 / 2014 SCALE : NTS

PROJECTION

ALL DIMENSIONS ARE IN (mm), UNLESS OTHERWISE SPECIFIED.

THIS DRAWING IS THE PROPERTY OF MESTRON ENGINEERING SDN. BHD. AND MUST NOT BE REPRODUCED OR MISUSED WITHOUT THEIR PRIOR CONSENT IN WRITING.



TECHNICAL SPECIFICATION FOR POLE

- 1) THE DESIGN OF LIGHTING COLUMNS IS DYNAMICALLY VERIFIED BY " ADVANCE ROBOT MILLENNIUM " DESIGN SOFTWARE. THE COLUMNS ARE DESIGNED TO WITHSTAND DESIGN WIND SPEED OF 35M PER SECOND 3 SECOND GUST OR EQUIVALENT TO 20.6M/S OF 10 MINUTES MEAN WIND VELOCITY AT 10M HEIGHT. TOPOGRAPHY AND TERRAIN FACTOR OF 1.0.
- 2) THE DESIGN OF LIGHTING COLUMNS IS ALSO VERIFIED BY TYPE TEST ACCORDING THE ABOVE DESIGN CRITERIA AND REQUIREMENT OF BS EN 40-3-2.
- 3) THE LIGHTING COLUMNS ARE COMPLIED WITH THE SPECIFICATION OF BS EN 40-5:2002.
- 4) THE MATERIALS USED FOR LIGHTING COLUMNS ARE COMPLIED WITH BS EN 10025 / JIS G3101 SS400.
- 5) WELDING PROCESS FOR LIGHTING COLUMN IS COMPLIED WITH BS EN 1011-2.
- 6) GALVANIZING PROCESS FOR LIGHTING COLUMN IS COMPLIED WITH BS EN ISO 1461 / BS 729.
- 7) POWDER COATING PROCESS FOR LIGHTING COLUMN IS COMPLIED WITH BS 6497.

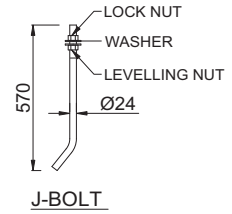
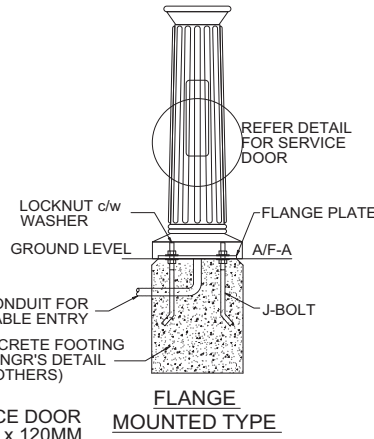
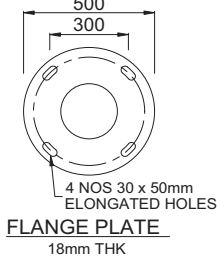
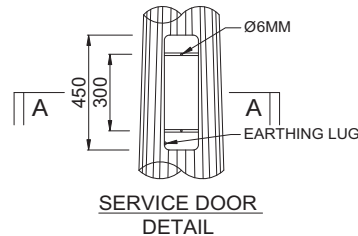
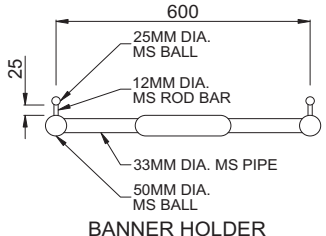
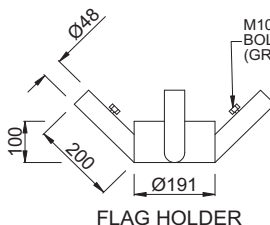
Ø114MM MS POLE C/W
HOT-DIP GALVANIZED
& POLYESTER POWDER
COATED

Ø114MM MS POLE C/W
HOT-DIP GALVANIZED
& POLYESTER POWDER
COATED

Ø166MM MS POLE C/W
HOT-DIP GALVANIZED
& POLYESTER POWDER
COATED

Ø166MM MS POLE C/W
HOT-DIP GALVANIZED
& POLYESTER POWDER
COATED

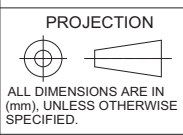
Ø216MM MS POLE C/W
HOT-DIP GALVANIZED
& POLYESTER POWDER
COATED



MESTRON ENGINEERING SDN BHD (591970-X)
 TEL: 603-8061 8125 FAX: 603-8061 8561
 E-MAIL : info@mestron.com.my
 WEB : www.mestron.com.my

VERIFIED:

**12M DECORATIVE POLE
FLANGE MOUNTED TYPE
3.0M DOUBLE ARMS**



THIS DRAWING IS THE PROPERTY OF MESTRON ENGINEERING SDN. BHD. AND MUST NOT BE REPRODUCED OR MISUSED WITHOUT THEIR PRIOR CONSENT IN WRITING.

DRAWN BY : ANORD
 DATE : 16-9-2008

DRAWING NO : HSSI-001-08-R0
 SCALE : NTS